

# JKS5406K-2800PV

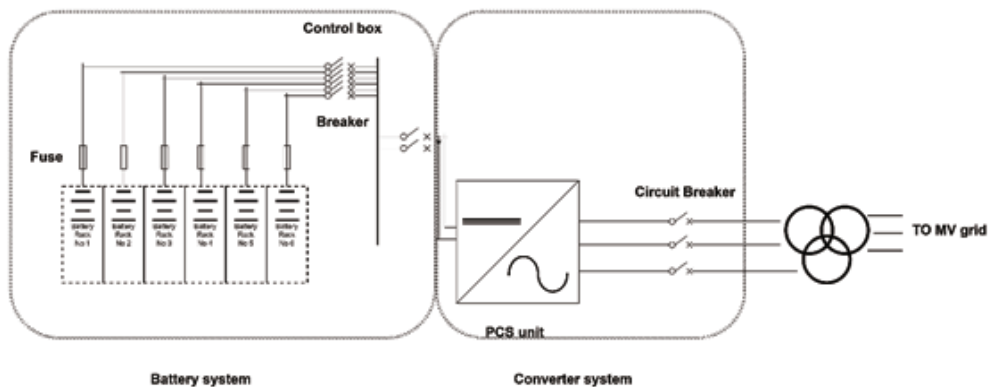
# JKS10812K-2800PV



## Key Features

- **ADVANCED MONITORING**  
Intelligent cell-level temperature control ensures higher efficiency and longer battery cycle life
- **SAFE AND RELIABLE**  
DC electric circuit safety management includes fast breaking and anti-arc protection
- **HIGH INTEGRATION**  
Highly integrated energy storage system for easy transportation and O&M

## System Diagram



# AIR COOLING CONFIGURATION

ITEM	2H		4H	
	2.8MW/5.4MWH		2.8MW/10.8MWH	
<b>BATTERY DATA</b>				
Cell Type	LFP, 100Ah			
Configuration of System	4P352S*2		4P352S*4	
Battery Capacity (BOL)	5406kWh		10812kWh	
Battery Voltage Range	880~1284V dc			
Battery Voltage	Rated	1126.4V dc		
	Maximum	1284V		
Charging / Discharging Current	Rated	200A*6*2	100A*6*4	
	Maximum	/	/	
DC Voltage	>5000 Cycles, @25 C ,0.5C,100%DOD,70%EOL			
Communication	CAN2.0/RS485/Ethernet			
Dimension	6058*2438*2896mm			
Weight	26 tons			
<b>PCS DC OUTPUT DATA</b>				
DC Voltage	760 - 1200 Vdc			
Max DC Current	3370A			
DC Voltage Ripple	<1%			
<b>PCS AC OUTPUT DATA</b>				
AC Line Voltage	480 Vac 3 Phase			
AC Line Nominal Frequency	60 Hz			
Continuous AC Current	3370 A RMS			
Overload AC Current	2800 kW (@25°C) 2500 kW (@50°C)			
Power Factor	0 - 1.00 Leading or Lagging			
Current Harmonics	IEEE 519 Compliant, <3% THD			
CEC Efficiency	97%			
Power response time	<50ms			
<b>PCS MECHANICAL DATA</b>				
Operating Temperature	-35 to 60°C, De-rated above50°C			
Cooling	Liquid Cooled			
Enclosure	UL 3R/ IP65 (Outdoor)			
Dimensions (HxWxD)	4230 x2290 x 1650 mm			
Weight	~6500kg			
<b>GENERAL DATA</b>				
Operating Temperature	Charging -20~55 C Discharging -20~55 C			
Storage Temperature	-40~60°C			
Altitude	≤2000m			

CAUTION: READ SAFETY AND INSTALLATION INSTRUCTIONS BEFORE USING THE PRODUCT.

© Jinko Solar Co., Ltd. All rights reserved. Specifications included in this datasheet are subject to change without notice.