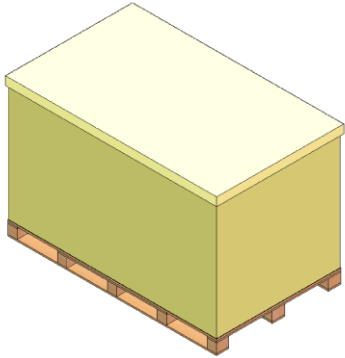


# 拆箱说明

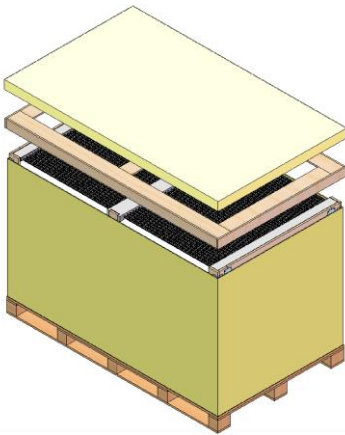
## Unpacking Instruction

**Jinko** *Solar*



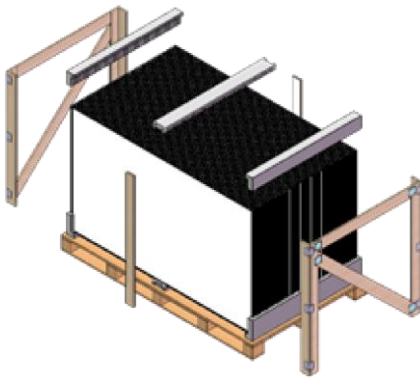
1. 移除包装箱四周的缠绕膜及打包带，将上下托组件分离。

1. Remove the wrapping film and packing tape around the packing case, and separate the upper and lower brackets.



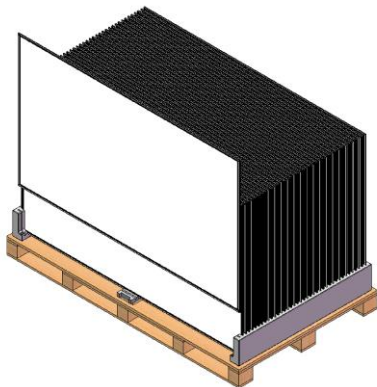
2. 上提移除纸箱盖、木箱盖以及纸箱围卡。

2. Remove the cardboard box cover, wooden box cover, and cardboard box enclosure card.



3. 移除内部打包带、N型支撑、中支撑以及上部卡槽。

3. Remove the inner packing tape, N-type support, middle support, and upper card slots. carton and take it away.



4. 两人搬抬组件，依次移开卡槽中所有组件。

4. Two people lift the components and sequentially remove all components from the card slot.