

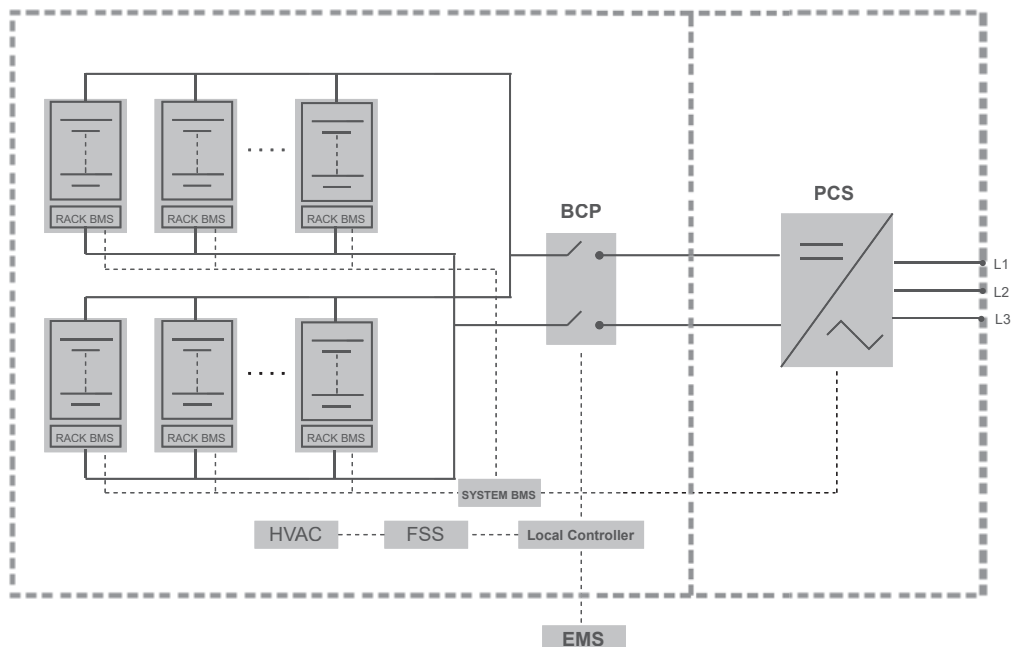
JKS642K-250P JKS1070K-250P JKS1284K-250P



Key Features

- High integrated system with separate inverter and battery sections to allow flexible transportation and on-site installation
- ALL IN ONE design, integrated local controller, HVAC and FSS to ensure system safety
- Higher energy density system with LFP battery, higher efficiency and longer cycle life
- Virtual synchronous generator (VSG) tech for off-grid parallel operation

System Topology



KEY COMPONENTS



Item	Parameter
Configuration	1P240S
Nominal Capacity	214kWh
Nominal Voltage	768V
Voltage Range	672~864V
Operating Temperature	0~55°C
Recommended operating temp.	20±3°C ; average 20°C
Dimension(W*D*H)	1050*925*2000mm
Weight	2080kg
IP Rating	IP20
Storage Humidity	RH≤95%
Application Altitude	≤2000m
Battery life Cycle	8000(1C/1C),100%DOD,@25°C,60%Ret
Cooling Mode	Air cooling
Communication Agreement	CAN 2.0B
Certification	UL9540A,IEC62619,UL1973,UN38.3



Item	Parameter
On-grid Mode	
Battery voltage range	500V~850V
DC Max Current	550A
AC voltage	400V
Nominal power	250kW
AC frequency	50/60Hz(±2.5Hz)
Output THDi	≤3%
Off-grid Mode	
Battery voltage range	500V~850V
DC Max Current	550A
AC voltage	400V(±10% configurable)
Nominal AC output power	250kW
AC Max Power	275kW
AC frequency	50/60Hz
Other	
Cooling	Forced air cooling
Enclosure	IP20/NEMA
Peak efficiency	96.1%
AC connection	3P4W
Max elevation	3000m(> 2000m derating)
Operating temp.	-20°C to 50°C (De-rating over 45°C)
Humidity	0~95%(No condensing)
Dimensions(W*D*H)	1200*800*2160mm
Weight	1280kg
Isolation	Built-in Transformer
Communication	RS485,CAN,Ethernet
Certification	UL1741, UL9540, IEC62477, IEC61000, CE LVD

SYSTEM TECHNICAL SPECIFICATIONS

ITEM	JKS642K-250P	JKS1070K-250P	JKS1284K-250P
DC DATA			
Battery Type	LFP		
Cell spec	3.2V/280Ah		
String configuration	1P240S		
Number of strings	3	5	6
Rack rated energy capacity	214kWh	214kWh	214kWh
Nominal capacity	642kWh	1070kWh	1284kWh
Rated voltage	761.6V		
Voltage range	666.4V-856.8V		
Communication	Modbus TCP/IP, CAN2.0B, RS485		
AC DATA			
AC voltage	400V480V		
Nominal AC output power	250kW		
AC Max Power	275kW		
AC frequency	50Hz/60Hz		
Isolation	Built-in Transformer		
AC connection	3P4W		
GENERAL DATA			
Dimensions(W*D*H)	6058*2438*2896mm	6058*2438*2896mm	6058*2438*2896m
Weight	< 14T	< 18T	< 21T
Enclosure	IP54		
Operating temp.	0~50 C		
Humidity	RH≤95% (No condensing)		
Application Altitude	≤2000m		
cooling concept of DC hatch	HVAC		
Communication	Modbus TCP/IP, RS485, CAN		
Certification	IEC62619,UL9540A,UN38.3,IEC62477		

CAUTION: READ SAFETY AND INSTALLATION INSTRUCTIONS BEFORE USING THE PRODUCT.

© Jinko Solar Co., Ltd. All rights reserved. Specifications included in this datasheet are subject to change without notice.